

4

3

2

1

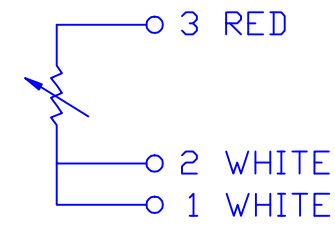
NOTES:

- 1. ELEMENT: CP NICKEL
- 2. RESISTANCE: 120.00 ± 0.79 OHMS AT 32°F.
- 3. OPERATING RANGE: -40° TO 400°F
- 4. MAXIMUM CONNECTION HEAD TEMPERATURE RANGE: 300°F

5. UNIT IS MARKED WITH THE FOLLOWING INFORMATION IN LOCATION SHOWN:  
 CODE NO. 02009  
 P/N 23933-X ← DASH NO PER SALES ORDER  
 S/N [ ] ← SUPPLIED BY RdF  
 RdF CORP

6. UNIT IS MARKED WITH THE FOLLOWING INFORMATION IN LOCATION SHOWN:  
 RdF P/N 23933-X ← DASH NO PER SALES ORDER  
 S/N [ ] ← SUPPLIED BY RdF

7. ACCEPTANCE TEST PROCEDURE: T-10842



SCHEMATIC

REVISIONS				
ZONE	LTR	DESCRIPTION	DATE	APPROVED
-	-	ECD 12044, INITIAL RELEASE (REF SD 69741)	970520	DB
B1	A	ECD 12345, ADDED 23933-2 COLUMN TO TABLE I	980303	DB
B1	B	ECD 12390, ADDED "-4" AND T-WELL REF COLUMN TO TABLE; IN -3 "L" DIM COLUMN "10.50" WAS "10.63"	980429	PMS
B1	C	ECD 13785; IN TABLE I ADDED -5	020226	DRG
B1	D	ECD 14000; IN TABLE I ADDED -6		
B1	E	ECD XXXXX; IN TABLE I ADDED -7		

# PRELIMINARY INFORMATION

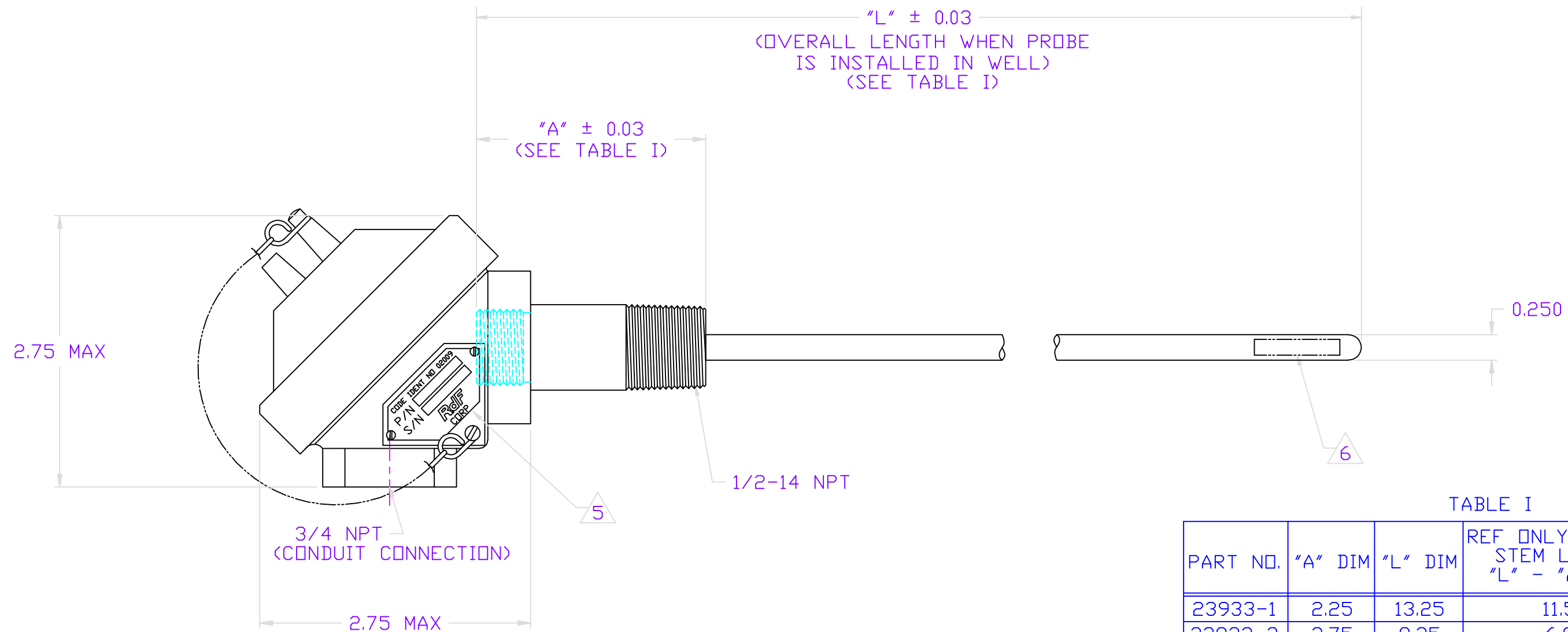
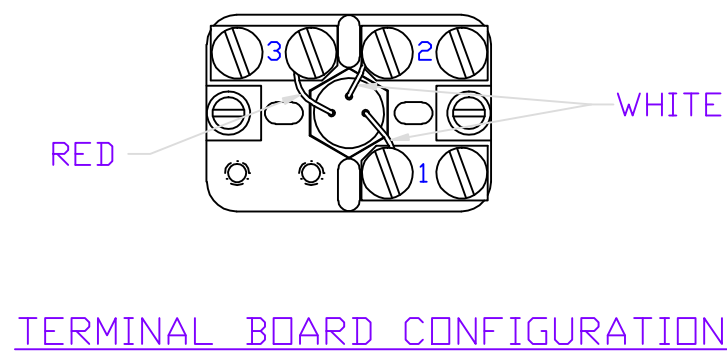


TABLE I

PART NO.	"A" DIM	"L" DIM	REF ONLY T-WELL STEM LENGTH "L" - "A" +0.5	7D NUMBER
23933-1	2.25	13.25	11.50	1202121
23933-2	2.75	8.25	6.00	1202122
23933-3	2.75	10.50	8.25	1202198
23933-4	2.75	13.75	11.50	1202205
23933-5	1.75	16.375	15.125	1202429
23933-6	2.75	9.75	7.50	1202467
23933-7	2.25	13.75	12.00	1202689

# PRELIMINARY INFORMATION



TERMINAL BOARD CONFIGURATION

-2	-1	PART OR IDENTIFYING NO.	NOMENCLATURE OR DESCRIPTION	MATERIAL OR NOTE	ITEM NO.
				LIST OF MATERIALS	
			DRAWN K. LEITH	DATE 970408	23 ELM AVE HUDSON N.H. 03051-0490 TITLE SPRING LOADED RESISTANCE TEMPERATURE DETECTOR
			ENGR. D. BRENNICK	DATE 970422	
			ISSUED K. LEITH	DATE 20021010	
			UNLESS OTHERWISE SPECIFIED ALL DIMENSIONS ARE IN INCHES REMOVE ALL BURRS AND SHARP EDGES TOLERANCES ON DIMENSIONS: .XX ± .03 ANGLES ± X .XXX ± .005 FRACTIONAL ± X		SIZE C
		NEXT ASSY	USED ON	FSCM NO. 02009	DWG NO. 23933
			APPLICATION	SCALE 1/1	REV. E
					SHEET 1 OF 1

4

3

2

1