

4

3

2

1

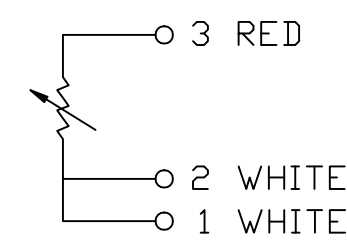
NOTES:

- 1. ELEMENT: CP NICKEL
- 2. RESISTANCE: 120.00 ± 0.79 OHMS AT 32°F.
- 3. OPERATING RANGE: -40° TO 400°F
- 4. MAXIMUM CONNECTION HEAD TEMPERATURE RANGE: 300°F

5. UNIT IS MARKED WITH THE FOLLOWING INFORMATION IN LOCATION SHOWN:
 CODE NO. 02009
 P/N 23933-X ← DASH NO PER SALES ORDER
 S/N [] ← SUPPLIED BY RdF
 RdF CORP

6. UNIT IS MARKED WITH THE FOLLOWING INFORMATION IN LOCATION SHOWN:
 RdF P/N 23933-X ← DASH NO PER SALES ORDER
 S/N [] ← SUPPLIED BY RdF

7. ACCEPTANCE TEST PROCEDURE: T-10842



SCHMATIC

| REVISIONS | | | | |
|-----------|-----|--|--------|----------|
| ZONE | LTR | DESCRIPTION | DATE | APPROVED |
| - | - | ECD 12044, INITIAL RELEASE (REF SD 69741) | 970520 | DB |
| B1 | A | ECD 12345, ADDED 23933-2 COLUMN TO TABLE I | 980303 | DB |
| B1 | B | ECD 12390, ADDED "-4" AND T-WELL REF COLUMN TO TABLE; IN -3 "L" DIM COLUMN "10.50" WAS "10.63" | 980429 | PMS |
| B1 | C | ECD 13785; IN TABLE I ADDED -5 | 020226 | DRG |
| B1 | D | ECD 14000; IN TABLE I ADDED -6 | | |

RdF CORPORATION
PROPRIETARY INFORMATION
 THE DESIGN REPRESENTED BY THIS
 DRAWING IS THE PROPERTY OF RdF CORP.
 AND IS NOT TO BE DISCLOSED
 WITHOUT RdF APPROVAL

FOR INFORMATION ONLY

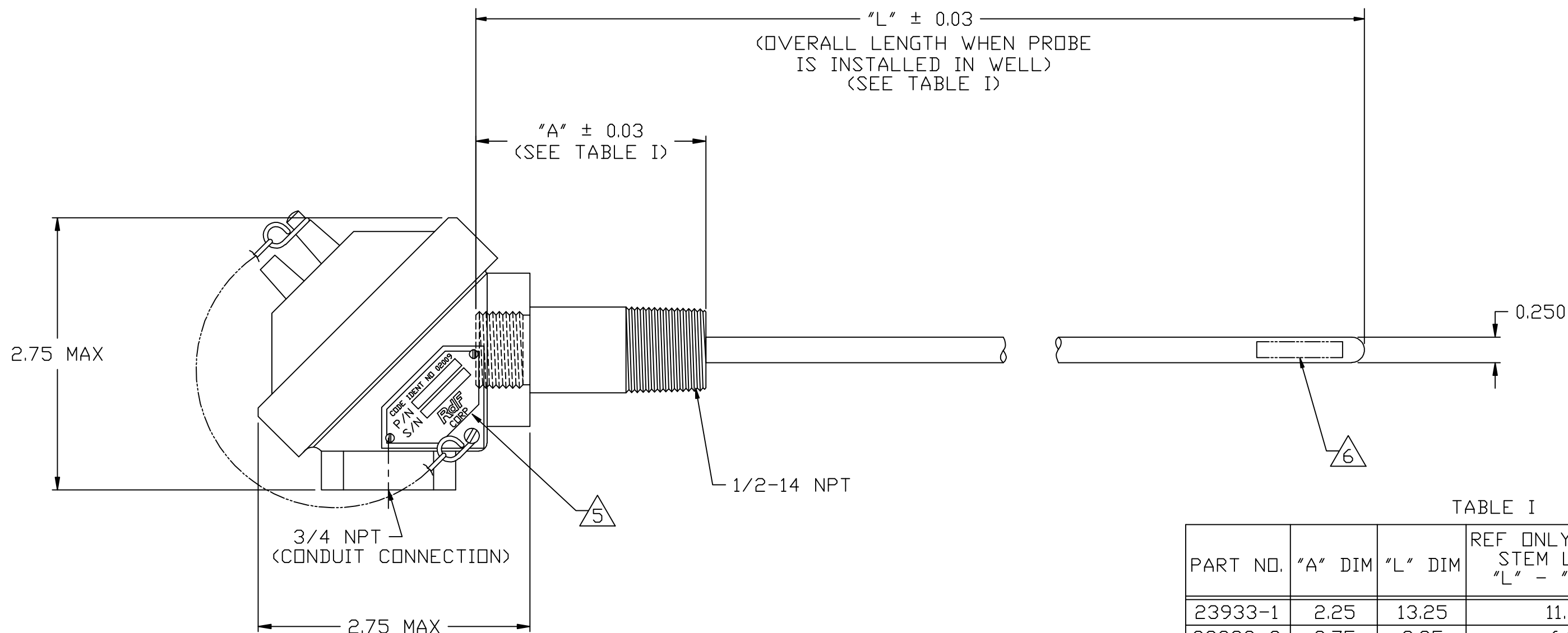
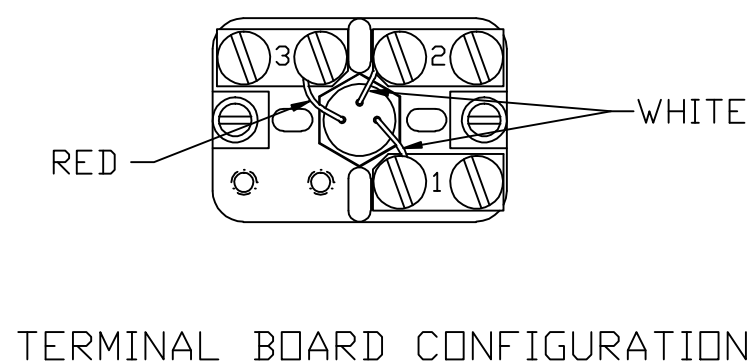


TABLE I

| PART NO. | "A" DIM | "L" DIM | REF ONLY T-WELL STEM LENGTH "L" - "A" +0.5 | 7D NUMBER |
|----------|---------|---------|--|-----------|
| 23933-1 | 2.25 | 13.25 | 11.50 | 1202121 |
| 23933-2 | 2.75 | 8.25 | 6.00 | 1202122 |
| 23933-3 | 2.75 | 10.50 | 8.25 | 1202198 |
| 23933-4 | 2.75 | 13.75 | 11.50 | 1202205 |
| 23933-5 | 1.75 | 16.375 | 15.125 | 1202429 |
| 23933-6 | 2.75 | 9.75 | 7.50 | 1202467 |



| -2 QTY REQ'D | -1 PART OR IDENTIFYING NO. | NOMENCLATURE OR DESCRIPTION | MATERIAL OR NOTE | ITEM NO. |
|-------------------|-------------------------------|--|------------------|--|
| LIST OF MATERIALS | | | | |
| | | DRAWN K. LEITH | DATE 970408 | 23 ELM AVE HUDSON N.H. 03051-0490 TITLE SPRING LOADED RESISTANCE TEMPERATURE DETECTOR |
| | | ENGR. D. BRENNICK | DATE 970422 | |
| | | ISSUED K. LEITH | DATE 20021010 | |
| | | UNLESS OTHERWISE SPECIFIED ALL DIMENSIONS ARE IN INCHES REMOVE ALL BURRS AND SHARP EDGES TOLERANCES ON DIMENSIONS .XX ± .03 ANGLES ± X .XXX ± .005 FRACTIONAL ± X | | SIZE C FSCM NO. 02009 DWG NO. 23933 REV. D |
| | | NEXT ASSY | USED ON | SCALE 1/1 SHEET 1 OF 1 |
| | | APPLICATION | | |

4

3

2

1