

Bilge Switches . . .

Designed primarily for bilge alarm applications, these compactly sized, slosh-shielded level switches provide extremely stable point level detection in turbulent, highly contaminated liquids. Built to withstand rough usage . . . compatible with seawater, various fuels, gasoline, hydraulic and lube oils. SPST switch operation is N.O. or N.C. (dry) . . . convertible by inverting float on unit stem . . . all design types.

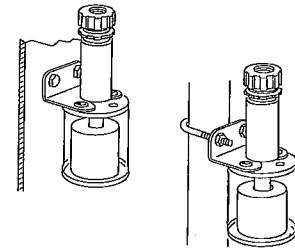
Standard Design Types . . .

LS-240-3 . . . Approved to MIL-S-16032, MIL-S-901C, MIL-STD-167B. Sturdily built . . . standard in IC/R1-U and IC/R1-V models with stuffing tube and 6" wire leads. Cable output is optional, and will

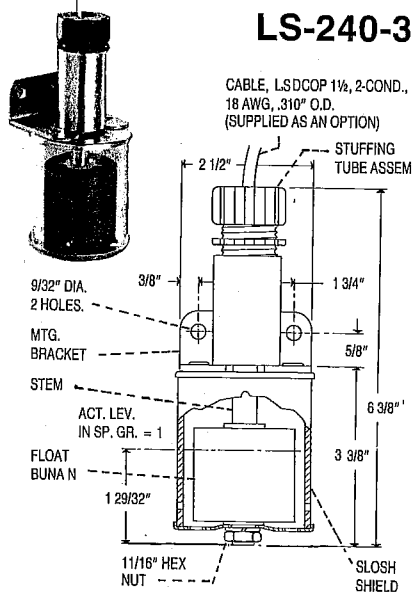
Specifications . . .

	LS-240-3
Stem	Phos. Bronze or SS
Mtg. Bracket	Copper Nickel
Float	Buna N
Slosh Shield	Lucite
Other Wetted Mat	Sil. Bronze, Hysol, Nylon
Operating Temp.	+180°F, max.
Pressure Rating	50 psig, max.
Switch - See Elec. Data, P. 8	SPST, 15 VA, N.O./N.C., dry
Elec. Connection	Wire leads 6" L

	LS-270
	304SS
	304SS
	Buna N
	Lucite
	Cpr. Nick., Beryl, Cpr.
	-10° to +140°F
	150 psi., max.
	SPST, 20/50 VA, N.O./N.C., dry
	1/8" Cable, Neoprene, 6 ft. L

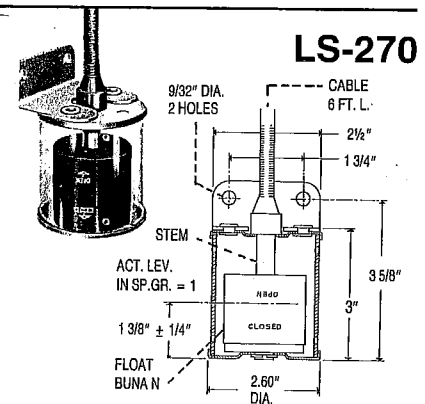


Installation is simple . . . mounting bracket bolts to bulkhead, sounding tube or other vertical member.



LS-240-3

CABLE, LSDCOP 1 1/2, 2-COND., 18 AWG, .310\" O.D. (SUPPLIED AS AN OPTION)



LS-270

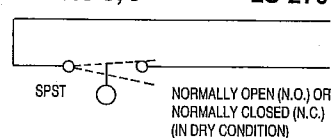
Standard Models . . .

Switch	P/N
20 VA, N.O.	43765
20 VA, N.C.	43760
50 VA, N.O.	43980
50 VA, N.C.	43982

To order . . .

Specify LS-270 units by P/N from Standard Models chart.

Typical Wiring Diagram . . .



LS-240-3 Models, Cross-reference . . .

Switch	GEMS P/N	Type	Symbol
N.O.	43910	IC/R1-U	2777
N.C.	43915	IC/R1-V	2777.1

To order . . .

Specify LS-240-3 units by P/N from cross-reference chart. For units with optional cable output, specify cable length required in feet in addition to P/N.